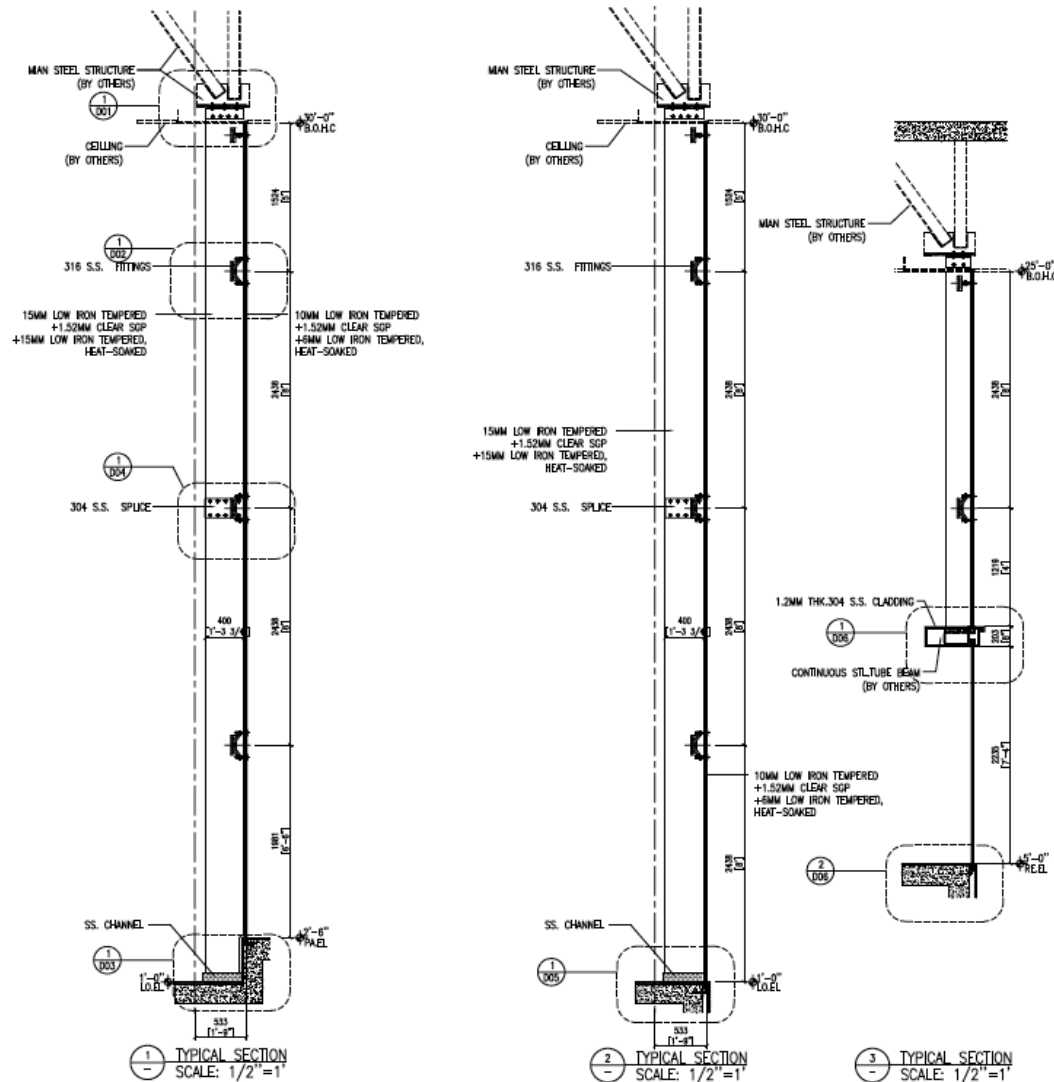


paragon

architectural products, llc

PLEASE NOTE:

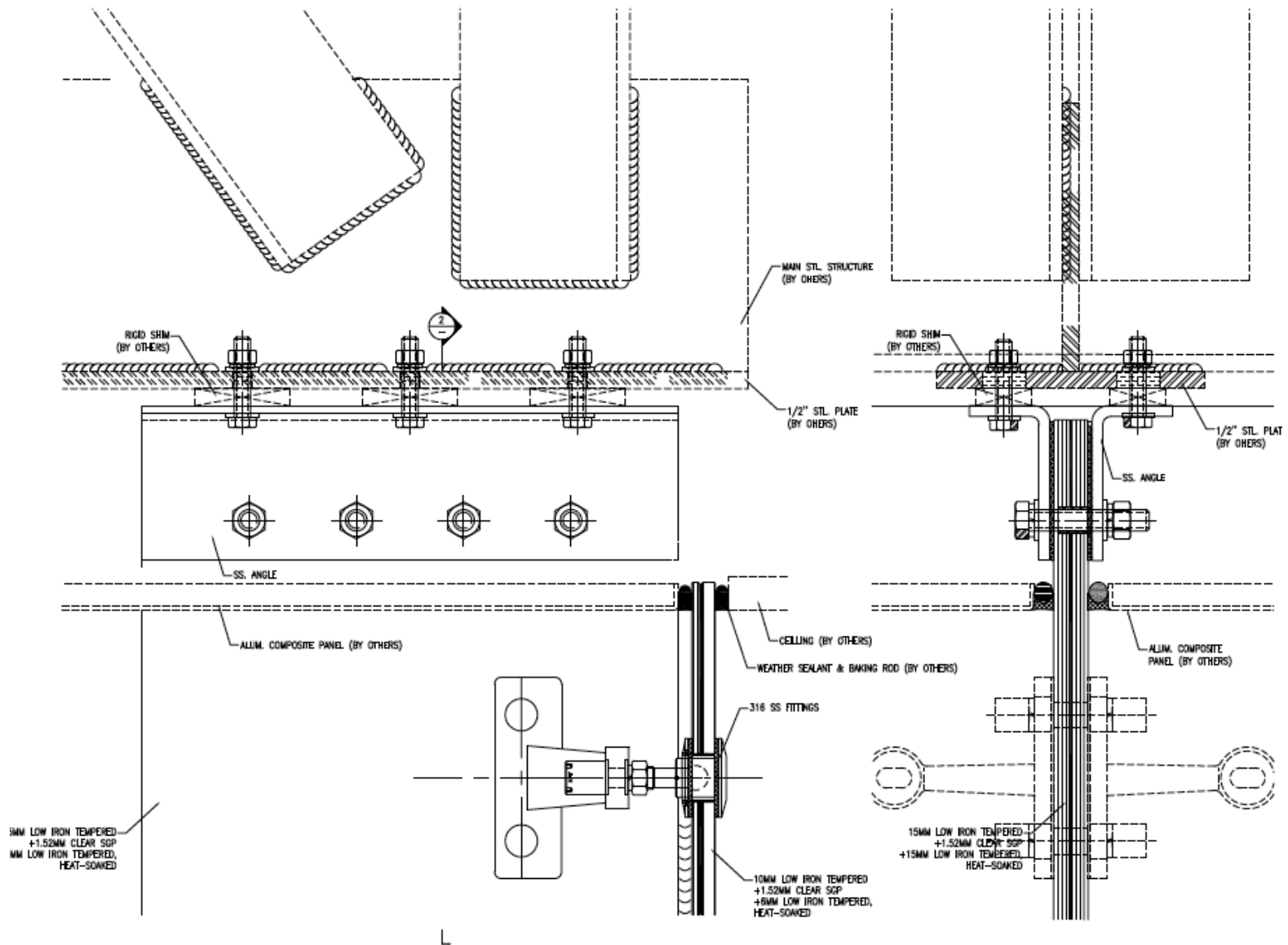
The details indicated herein are from past projects and should be considered 'generic' details, which may or may not apply to your project.



10239 EAST SHANGRI - LA SCOTTSDALE, AZ 85260 U.S.A.
 Phone 480-767-8266 Fax 480-767-8267 www.glassengineer.com

paragon

architectural products, llc

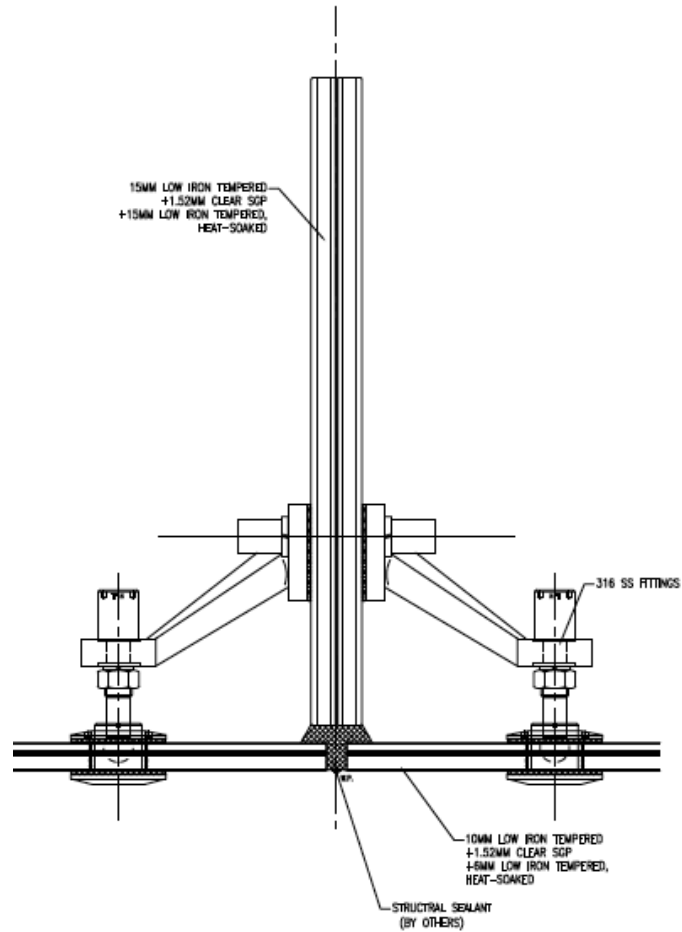


1
 - TYPICAL VERTICAL DETAIL
 SCALE: 1/2" = 1"

10239 EAST SHANGRI - LA SCOTTSDALE, AZ 85260 U.S.A.
 Phone 480-767-8266 Fax 480-767-8267 www.glassengineer.com

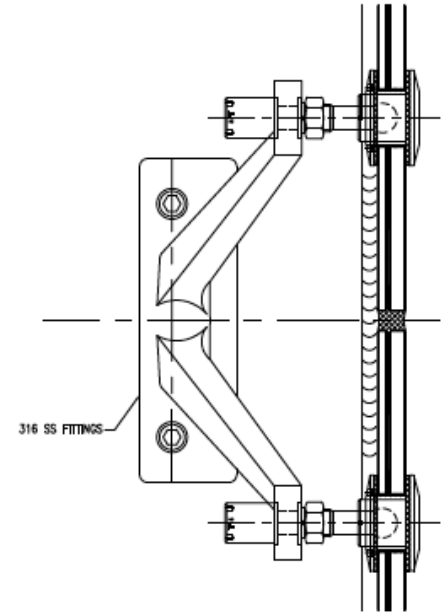
paragon

architectural products, llc



2 TYPICAL DETAIL
SCALE: 1/2" = 1"

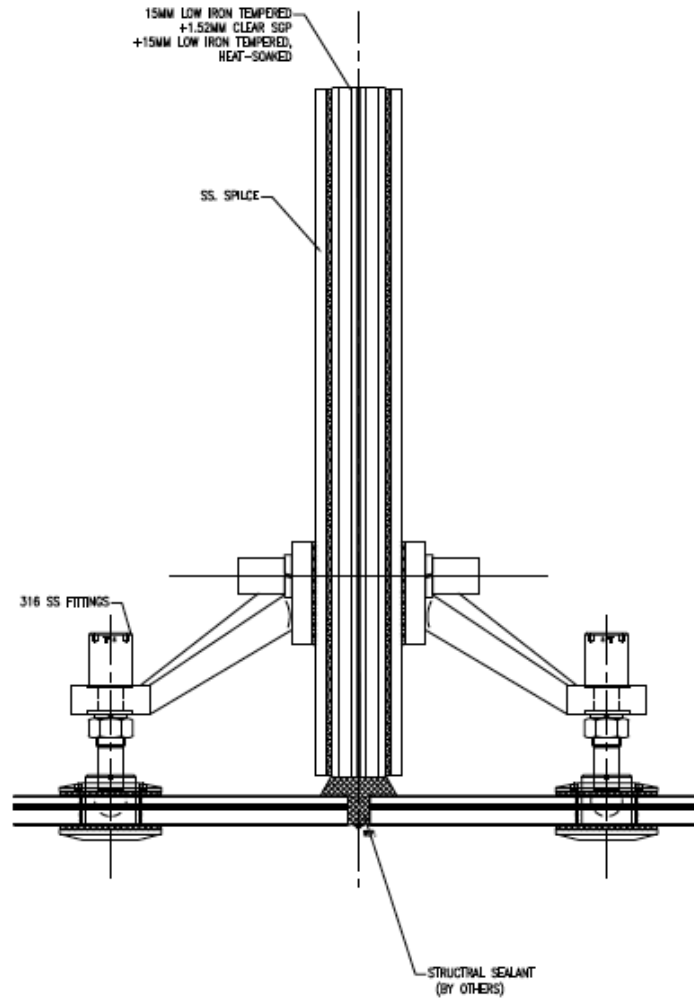
15MM LOW IRON TEMPERED
+1.52MM CLEAR SQP
+15MM LOW IRON TEMPERED,
HEAT-SOAKED



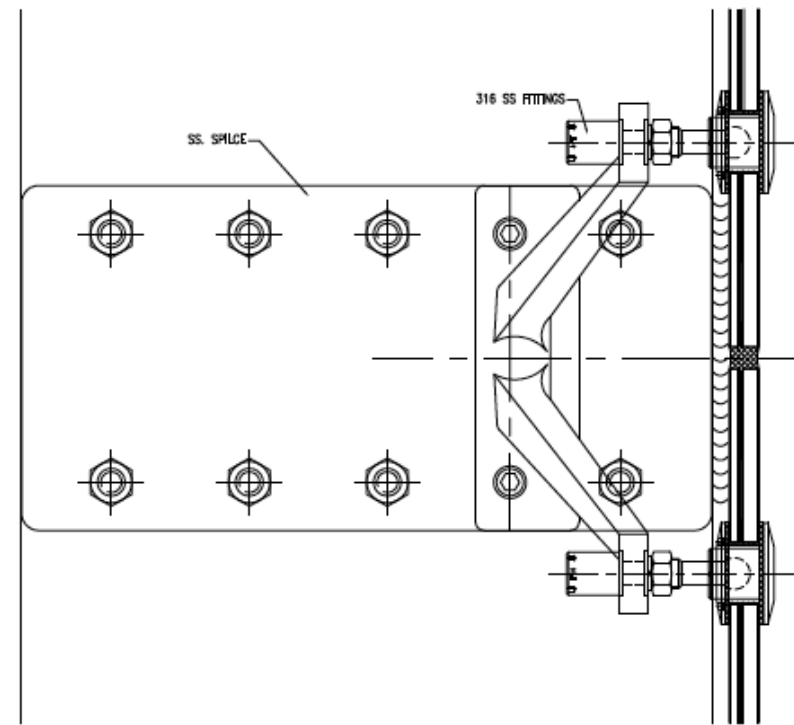
1 TYPICAL VERTICAL DETAIL
SCALE: 1/2" = 1"

paragon

architectural products, llc



2 TYPICAL DETAIL
SCALE: 1/2" = 1"



1 TYPICAL VERTICAL DETAIL
SCALE: 1/2" = 1"

