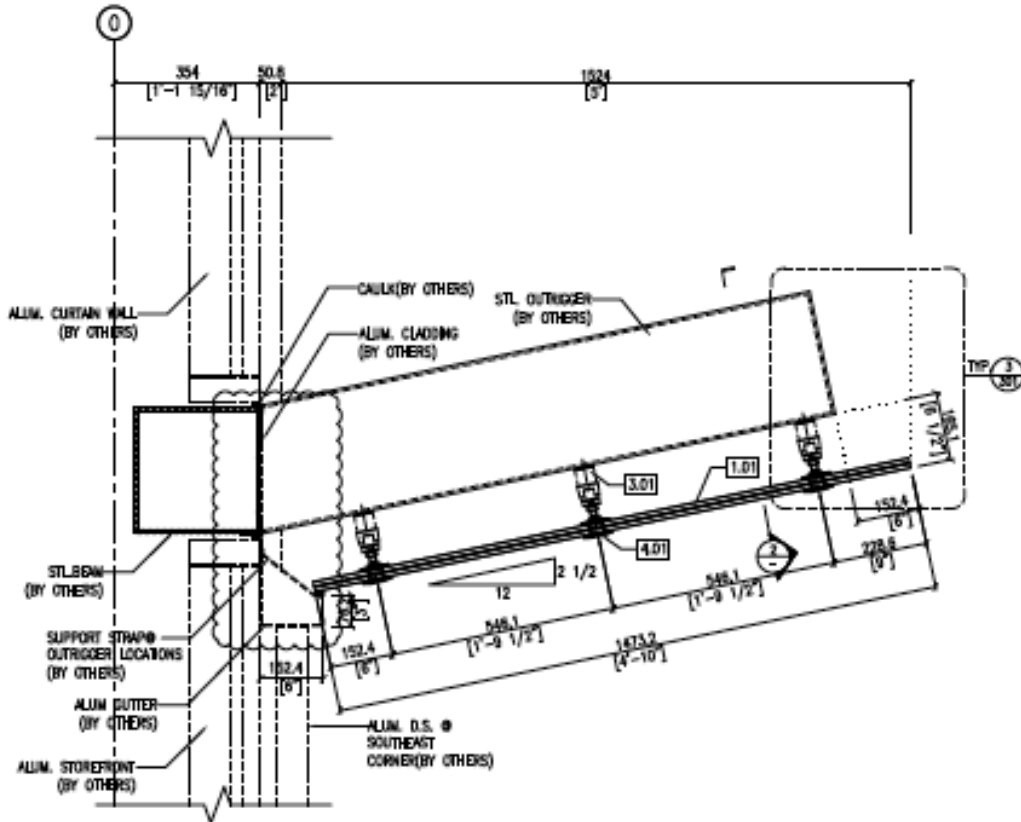


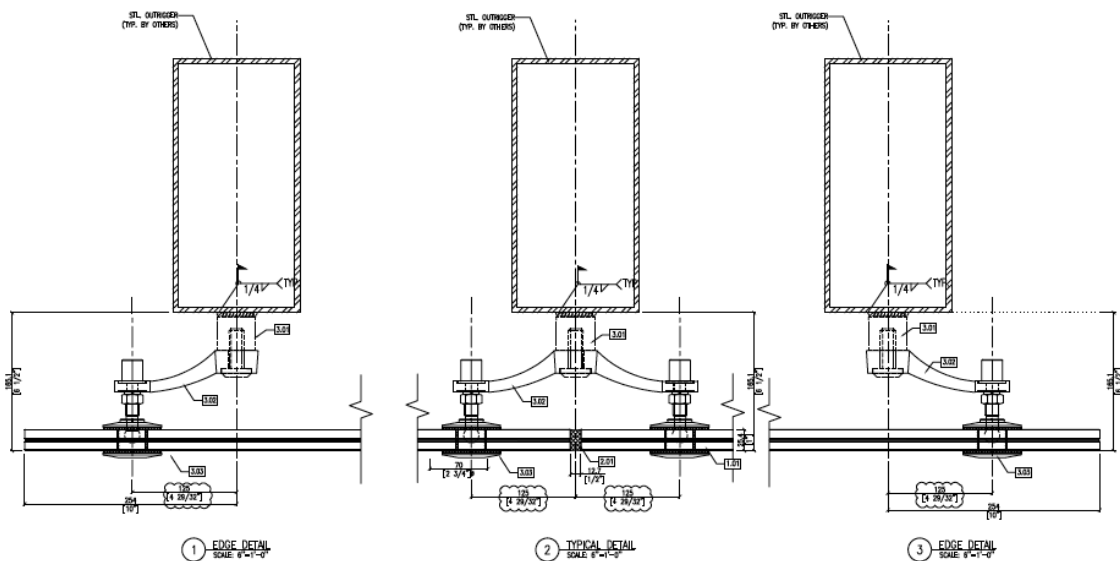
paragon

architectural products, llc

Drawings shown below are conceptual and are from past projects.
Conditions shown here may not pertain to your specific project.
Please consult Paragon with questions related to your specific project.

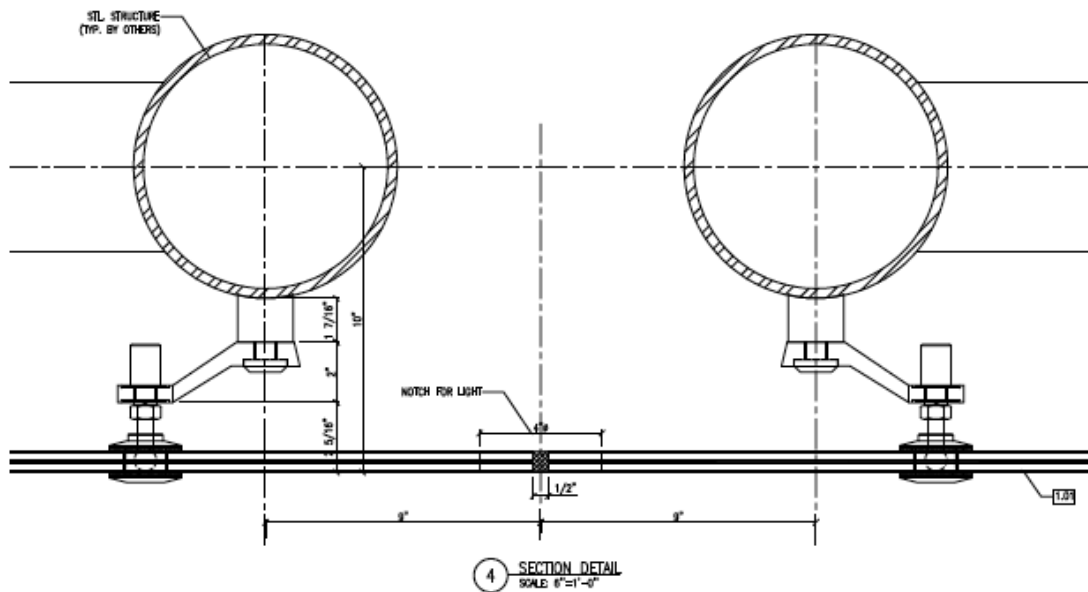
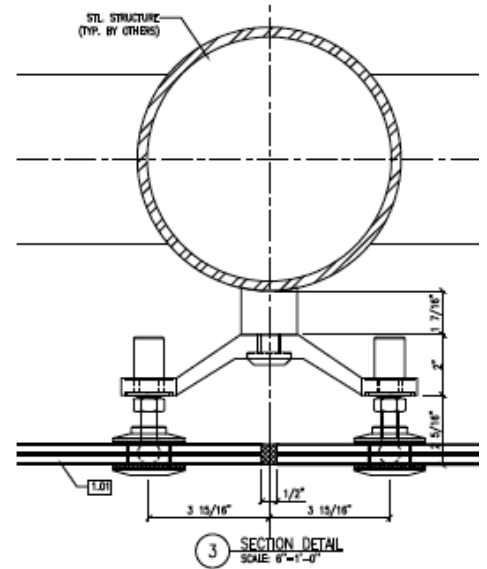
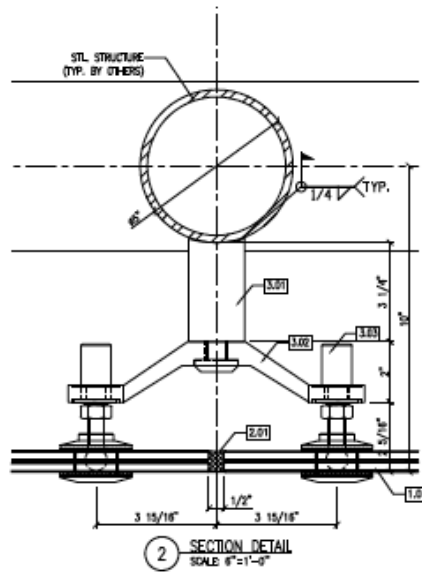
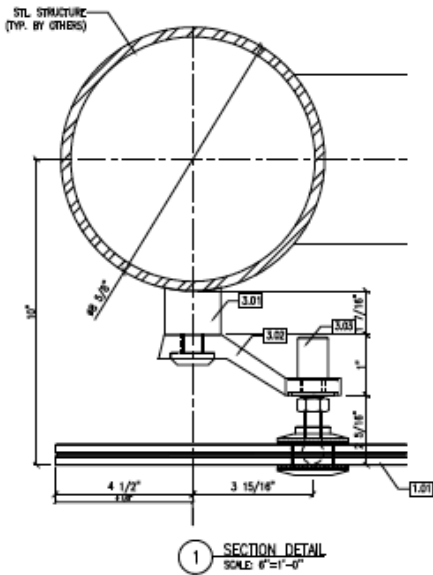


3 CANOPY SECTION
SCALE 1/2" = 1'-0"



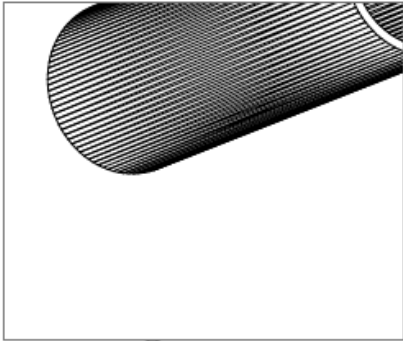
paragon

architectural products, llc

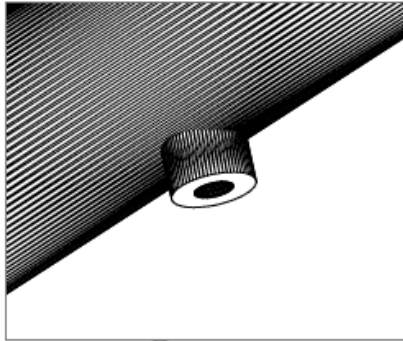


paragon

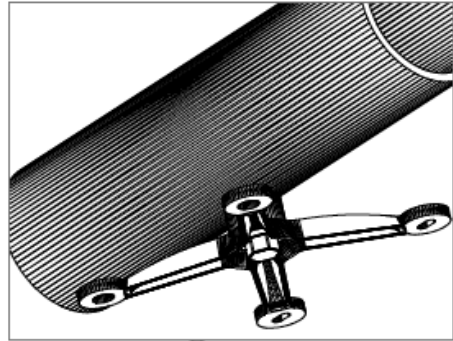
architectural products, llc



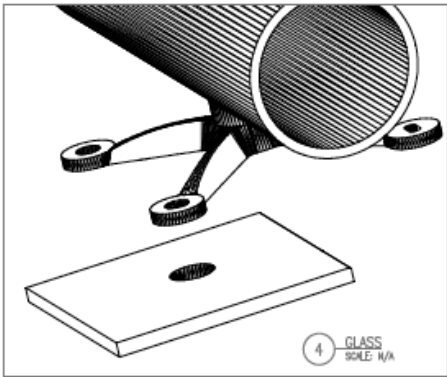
1 STEEL STRUCTURE
SCALE: N/A



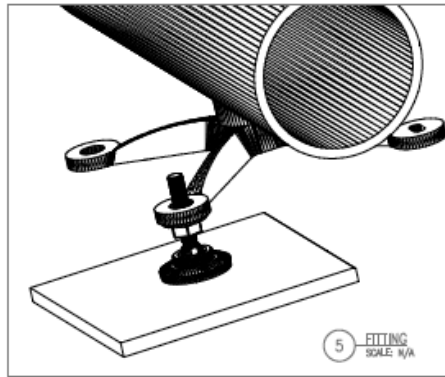
2 WELD STEEL BASE TO PIPE
SCALE: N/A



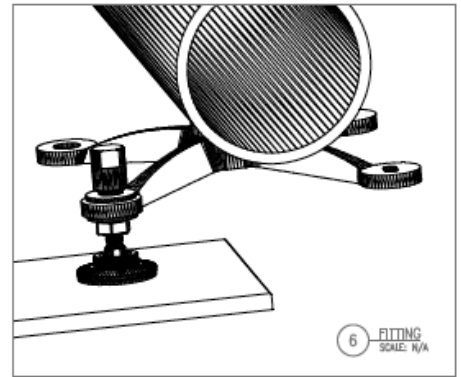
3 SPIDER
SCALE: N/A



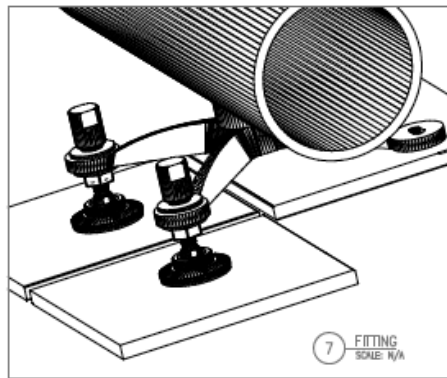
4 GLASS
SCALE: N/A



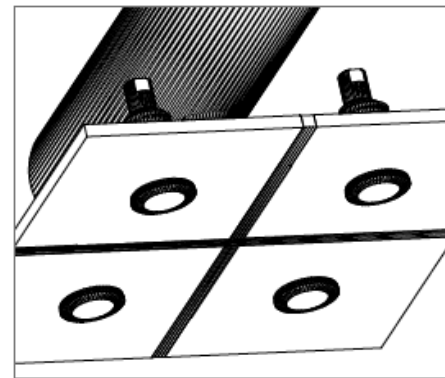
5 FITTING
SCALE: N/A



6 FITTING
SCALE: N/A



7 FITTING
SCALE: N/A



8 WEATHER SEALANT
SCALE: N/A